



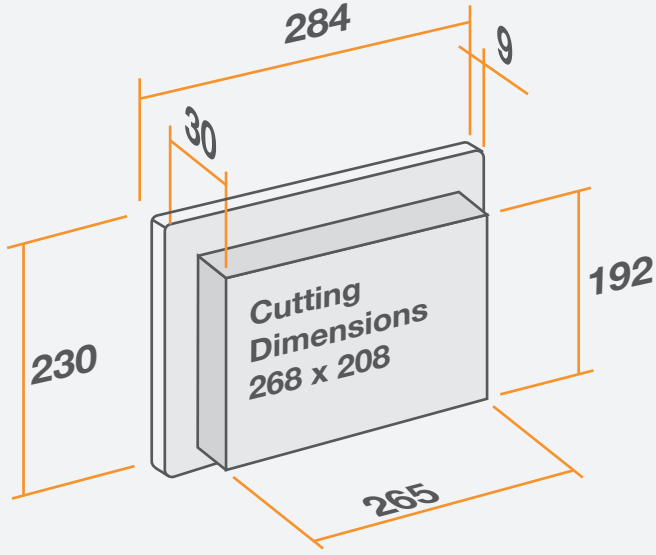
## 10,4” Industrial Panel PC

Tueks Panel PC is designed to meet industrial operating conditions. It provides trouble-free operating performance, especially in dusty, hot, humid and vibrant environments.

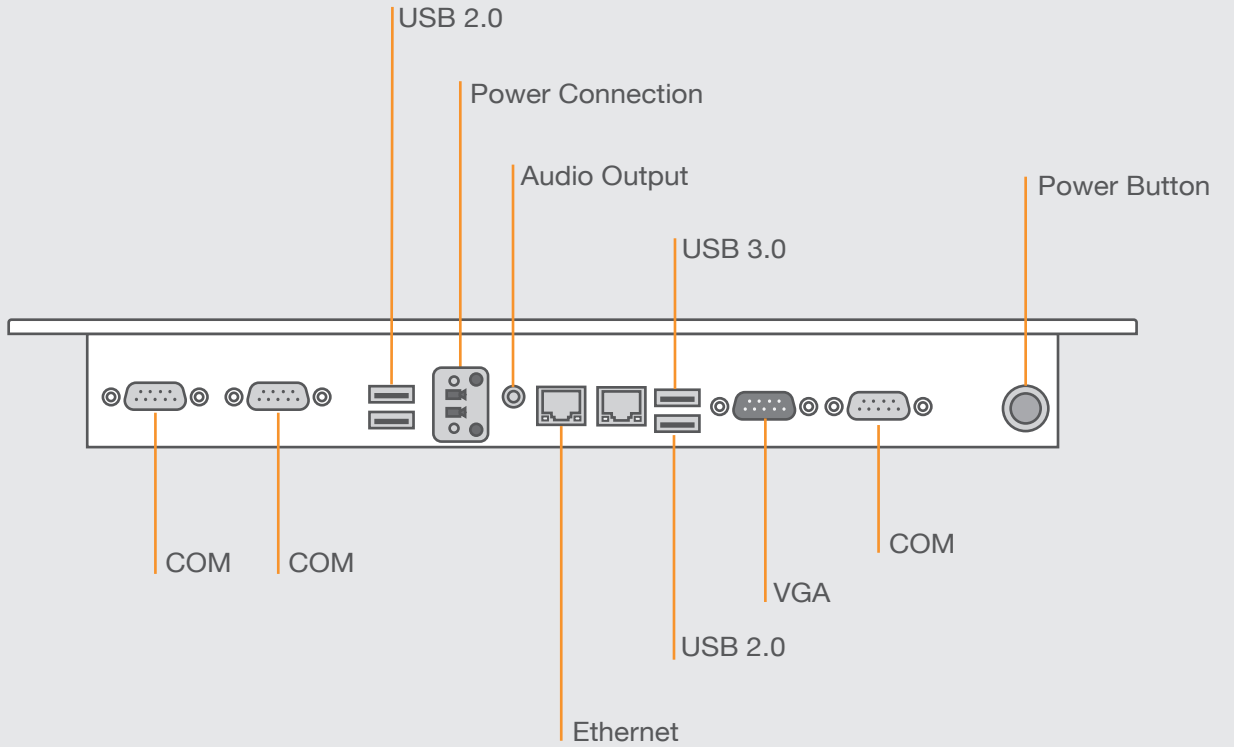
## Technical Specifications

Display	LCD Touchscreen / Resistive IR
Screen Size	10.4"
Display Resolution	800x600
Processor	Intel Baytrail-M N2930 1.83 GHz Quad-Core
RAM	4GB 1333Mhz DDR3
Storage	64 GB SSD
Ethernet	2x 10/100/1000 Mb/s
USB 2.0	3x
USB 3.0	1x
RS232	1x
RS232/RS422/RS485	2x
VGA	1x
HDMI	1x
Mini PCI-E	1x (W-Lan)
Sim Card Holder	1x
Working Temperature	0 / 60 °C
Operating Humidity Range	%20- %90 (Non-condensing)
Power Consumption	15 W
Dimensions	191x150,5x49 mm
Protection Class	IP65
Product Warranty Period	1 Year

Konzek Technology can make changes in product specifications without prior notice.



# TPC1 101



Konzek Technology can make changes in product specifications without prior notice.